

GJS ROBOT
GANKER
EX

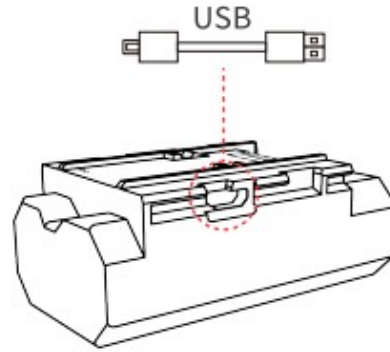
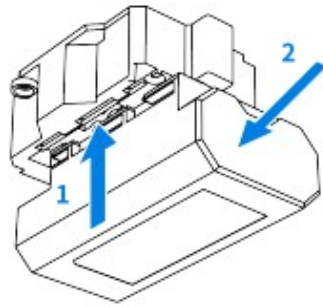


GANKER EX 快速指南
GANKER EX QUICK GUIDE



了解更多功能, 请扫码下载《GANKER EX 使用说明书》。

For more information, please scan the QR code to download 《GANKER EX User Manual》.



注意事项:

- 充电器由成人或在成人监护下使用;
- 电池的安装: 本产品使用 1 个 7.4V 锂电池。需由成人组装;
- 定期检查充电器的电线、插头、外壳和其它部件是否损坏, 发现损坏时应停止使用, 直至修复完好;
- 充电器不是玩具, 玩具只能使用推荐的充电器 (5V, 2A);
- 本产品只能用干布擦拭, 玩具清洁前应与充电器断开;
- 充电电池只能在成人的监护下充电;
- 充电电池在充电前应从玩具中取出;
- 电池应以正确的极性放入;
- 用尽的电池应从玩具中取出;
- 电源端子不得短路。

⚠ WARNING!

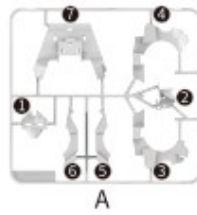
- The charger is used by an adult or under the supervision of an adult;
- Battery installation: This product uses a 7.4V lithium battery. Need to be assembled by an adult;
- Regularly check the charger's wires, plugs, casing and other parts for damage and stop using them until they are repaired;
- The charger is not a toy, the toy can only use the recommended charger (5V, 2A);
- This product can only be wiped with a dry cloth. The toy should be disconnected from the charger before cleaning.
- The rechargeable battery can only be charged under the supervision of an adult;
- The rechargeable battery should be taken out of the toy before charging;
- the battery should be placed in the correct polarity;
- The used battery should be taken out of the toy;
- The power terminals must not be short-circuited;
- Only use the battery specified by the manufacturer.

快速指南内含重要信息, 请保留备用。

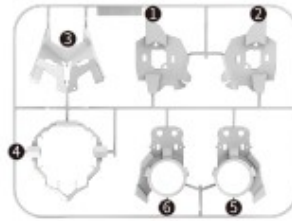
The Quick Guide contains important information, please reserve it for future use.

拼装外壳前请务必先阅读本说明

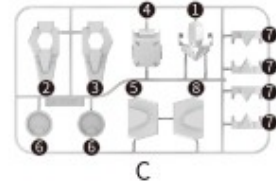
Read the assembly instructions carefully before beginning the assembly procedure



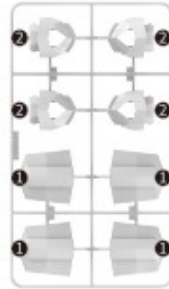
A



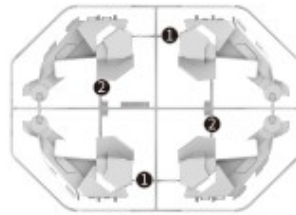
B



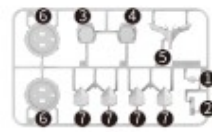
C



D



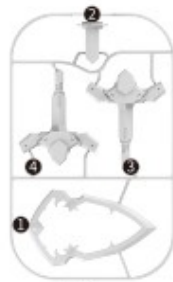
E



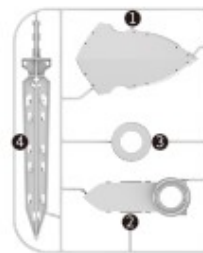
F



G



WA



WB



WC

部件清单

Part List

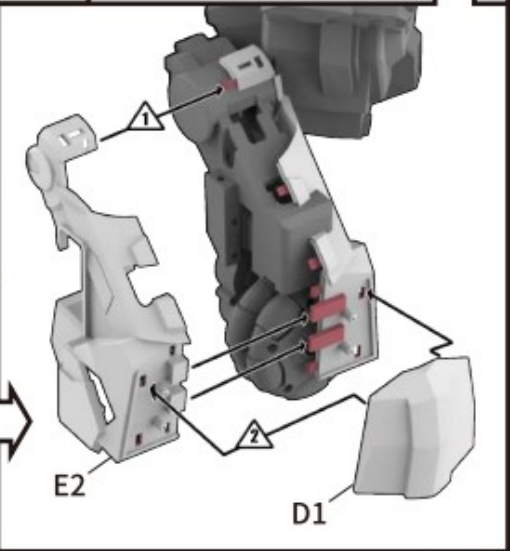
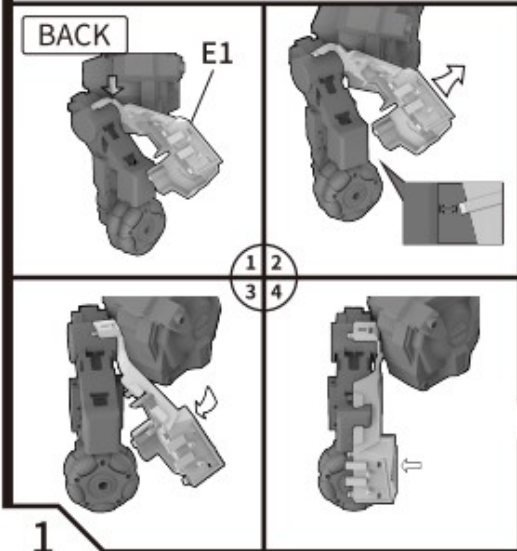
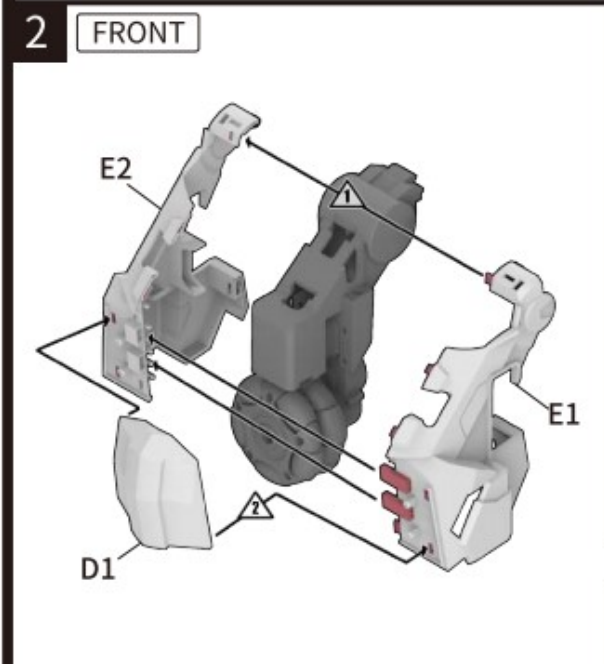
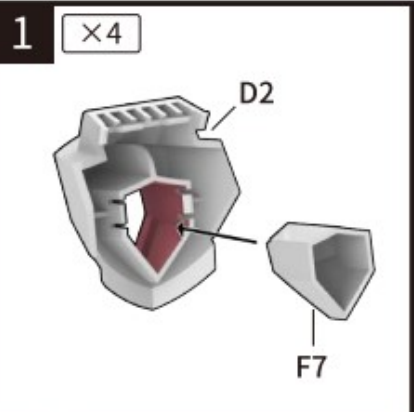
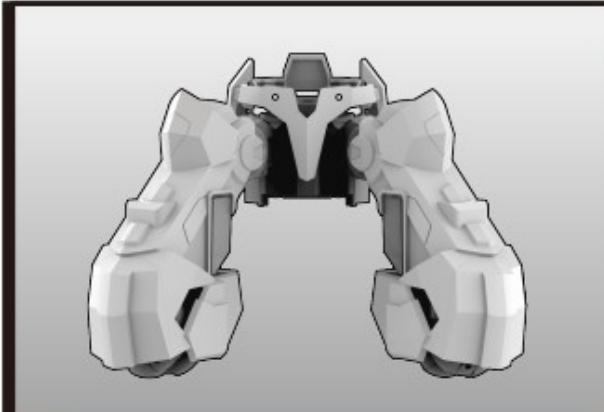
A × 1
B × 1
C × 1
D × 1
E × 2
F × 1
G × 1
WA × 1
WB × 1
WC × 1

⚠ 注意:

- 此外壳需要组装，开始组装前请仔细阅读说明图。
- **警告：**此产品可能包含可能有危险的锋利边缘，请谨慎处理本产品。
- 我们建议使用水口钳从板件框中剪出部件，水口钳与模型刀 10 岁以上儿童使用时必须由成人协助下完成
- **警告：**本产品内含小零件，请勿吞食以免发生窒息危险，不适合 3 岁以下儿童使用。

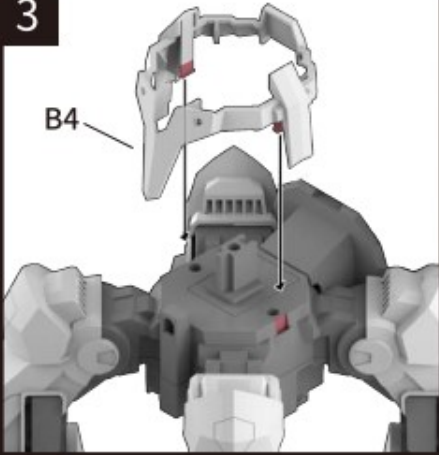
⚠ WARNING!

- This armor needs to be assembled. Read the assembly instructions carefully before beginning the assembly procedure.
- **Warning:** This product may contain sharp edges that could be dangerous. Caution should be used when handling the product. Keep out of the reach of small children.
- We suggest using sprue cutters to remove parts from the parts tree and finish off any remaining plastic with a hobby knife or file. The use of sprue cutters or hobby knives by children under 10 years of age is not recommended unless supervised by a parent or guardian.
- **Warning:** This product does contain small parts that could be swallowed and must be kept out of the reach of children under the age of 3 years old.



1

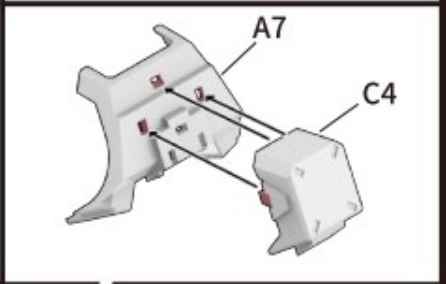
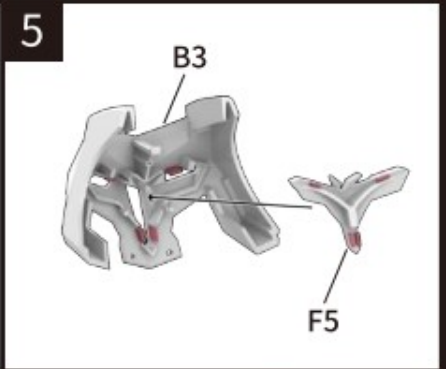
3



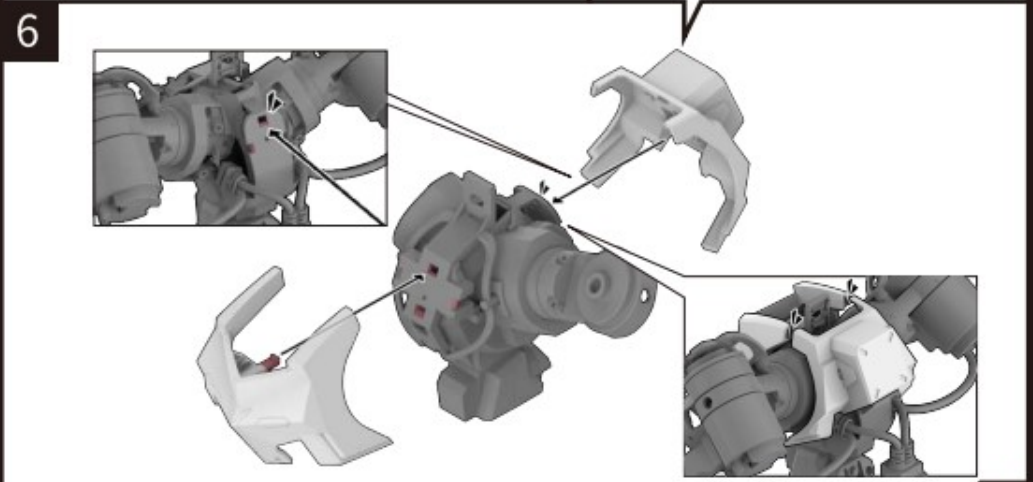
4



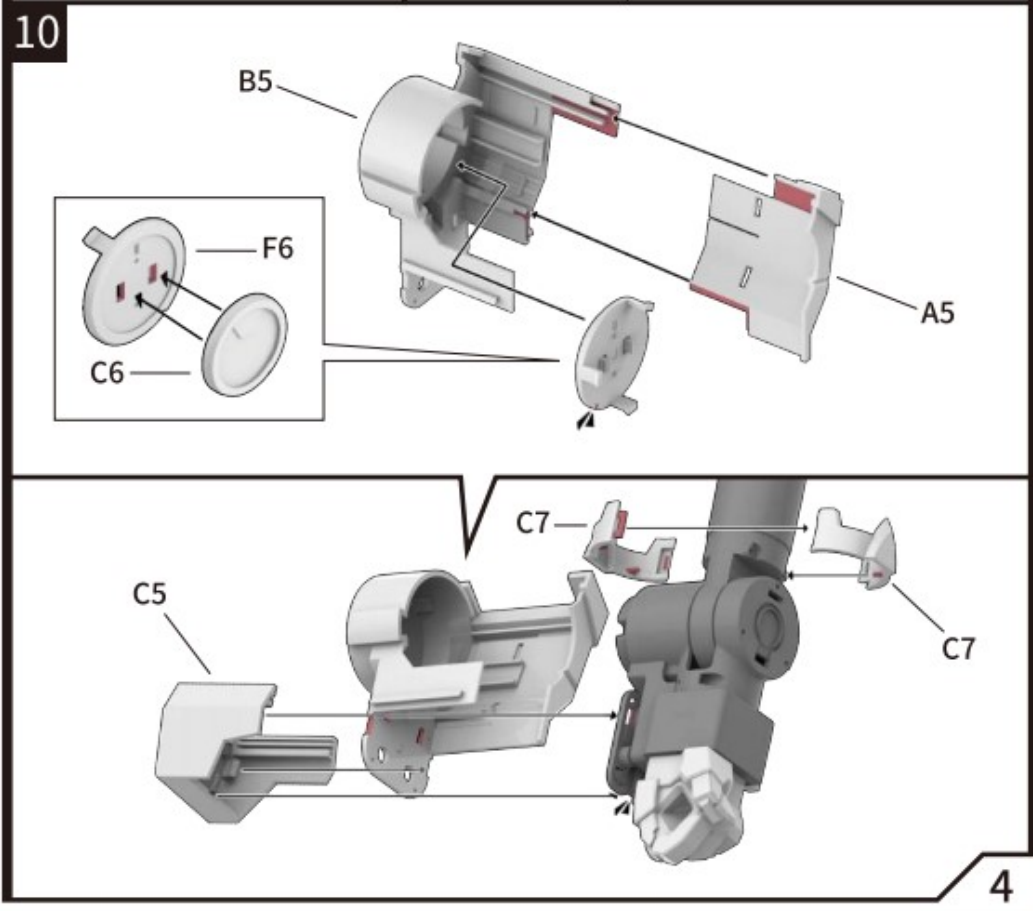
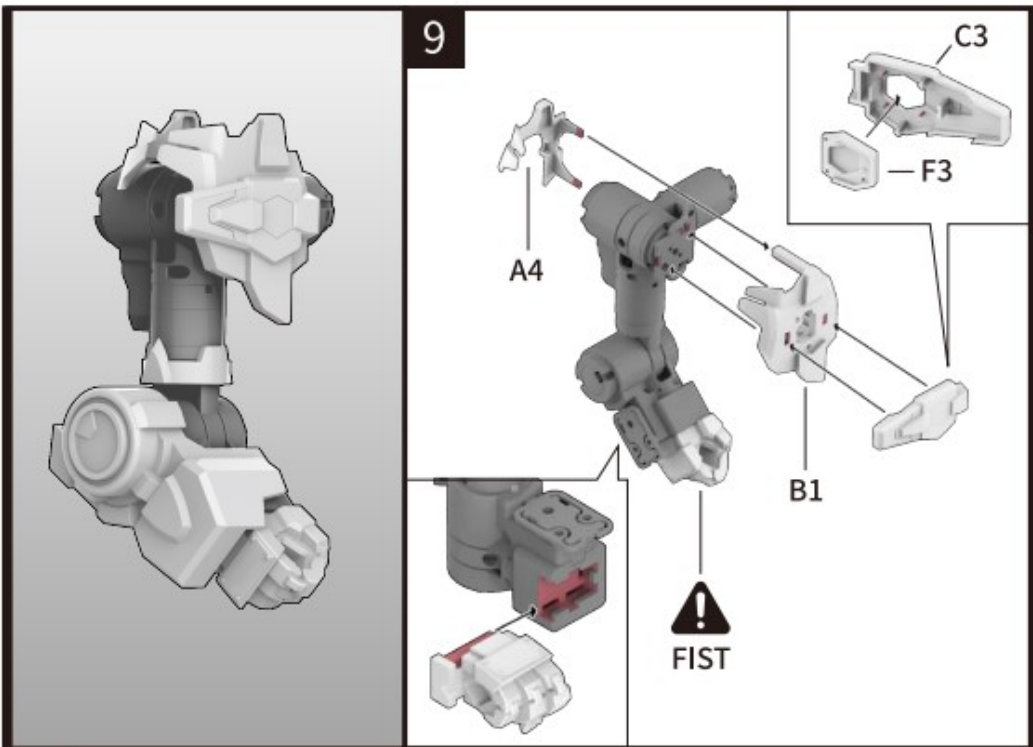
5



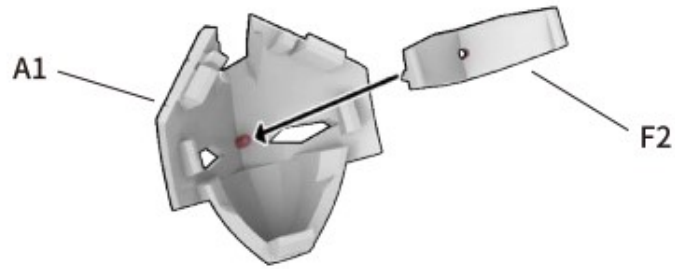
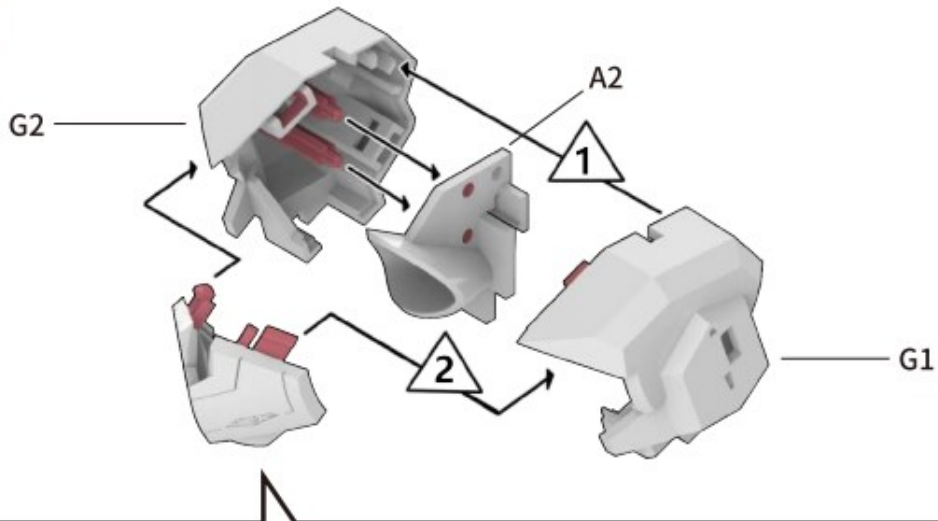
6



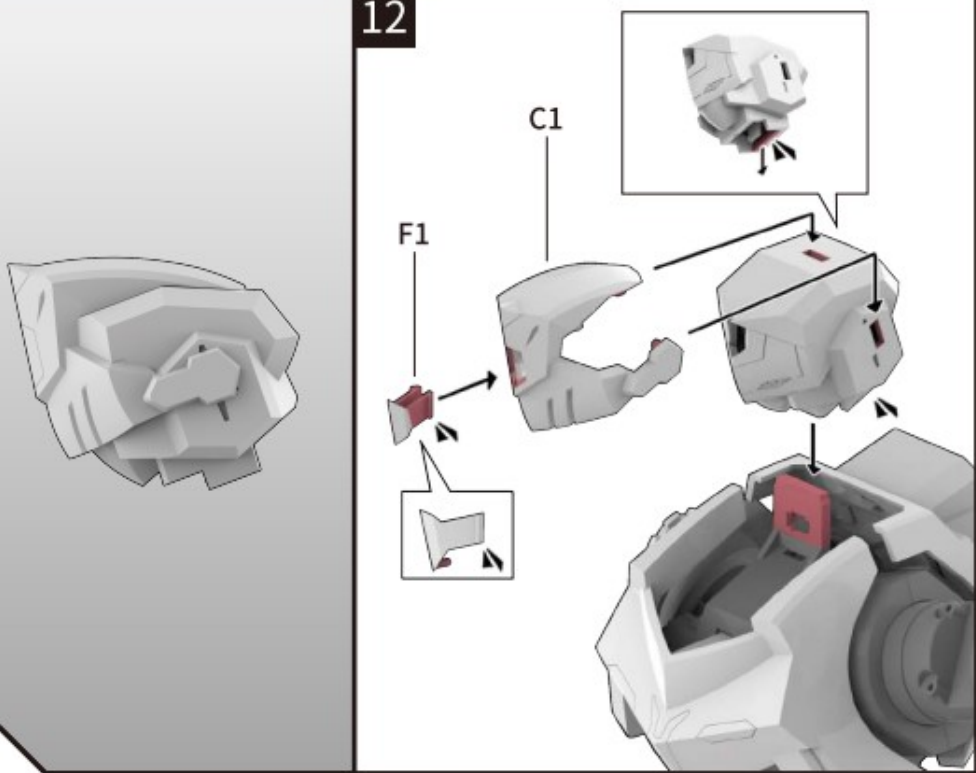
2



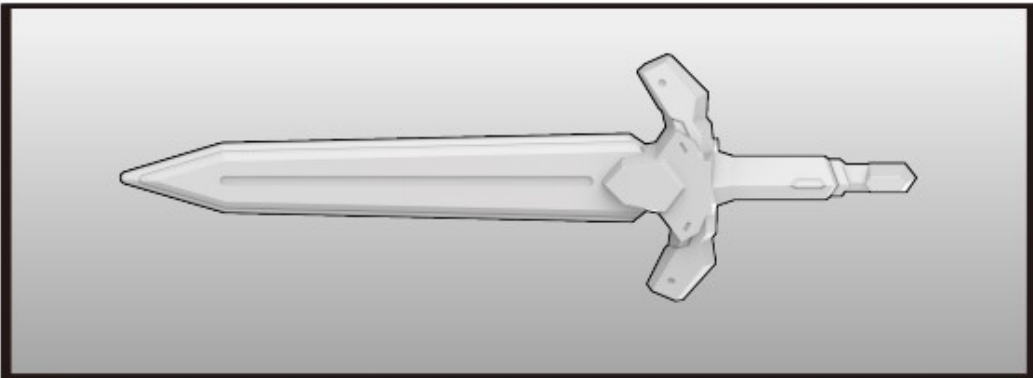
11



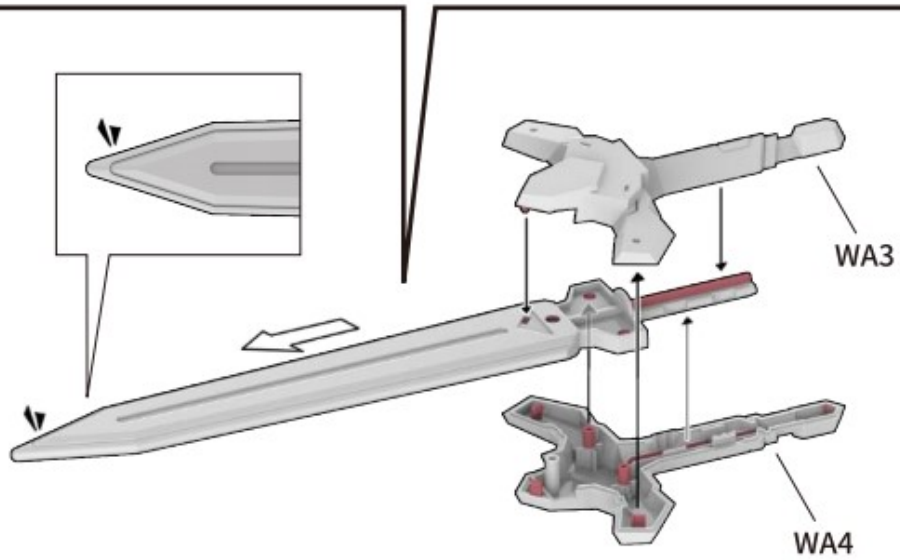
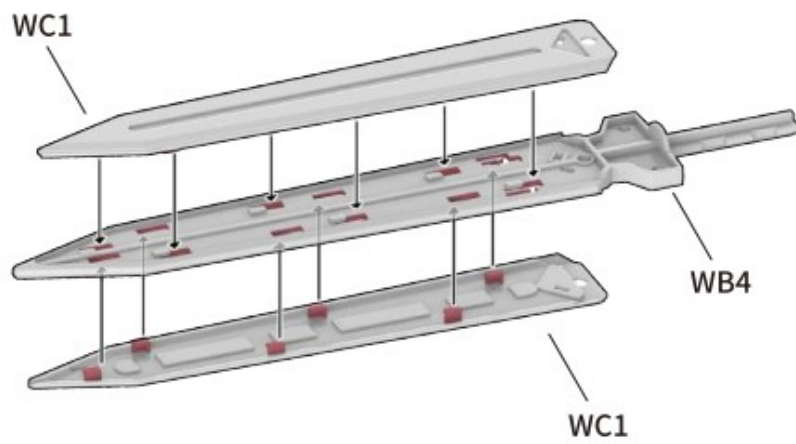
12



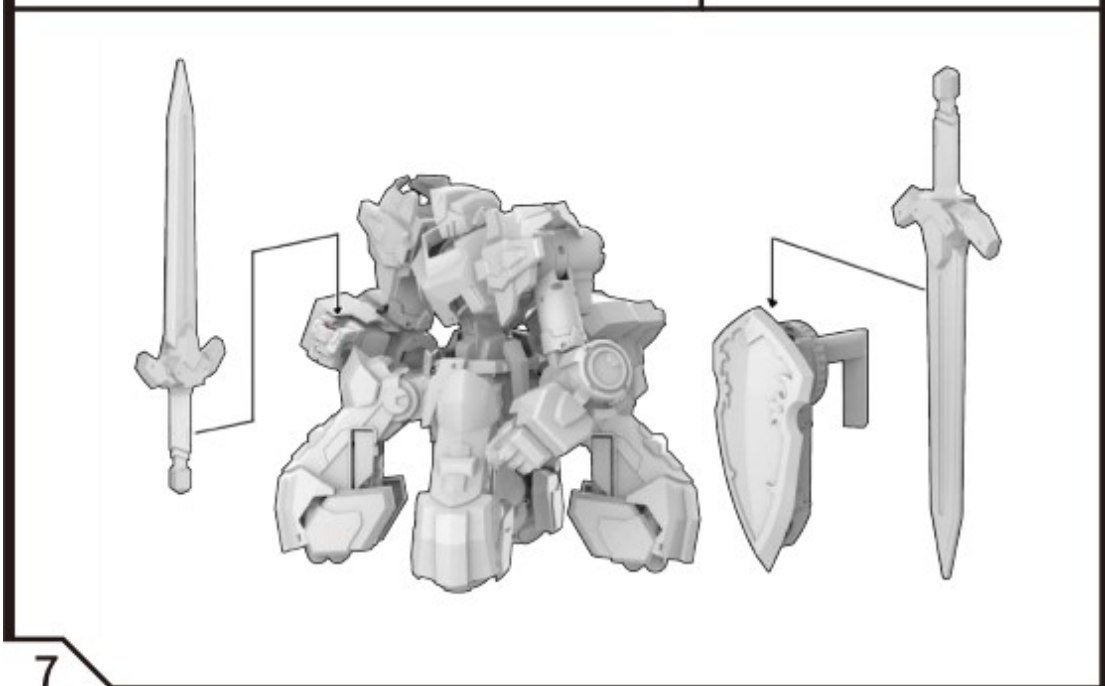
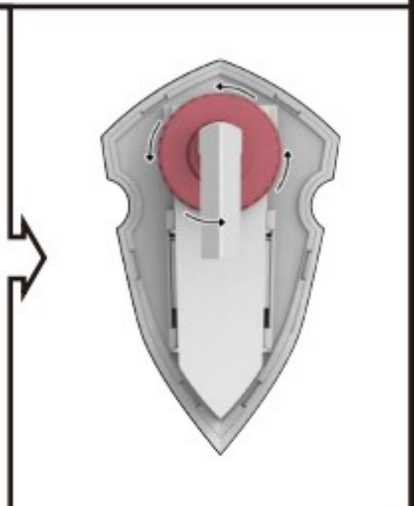
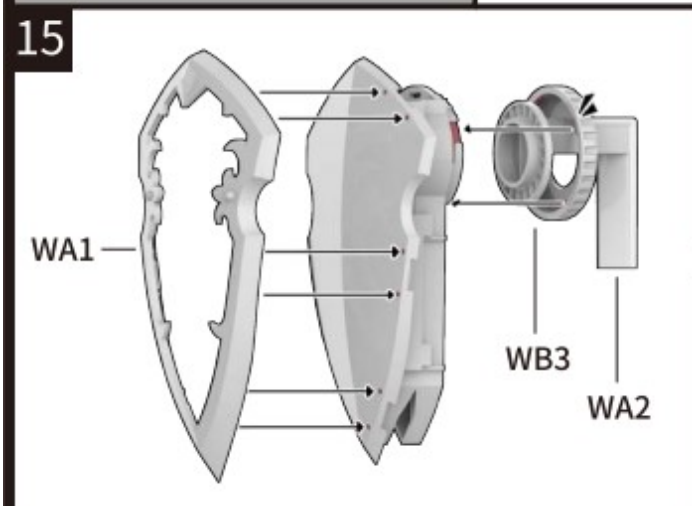
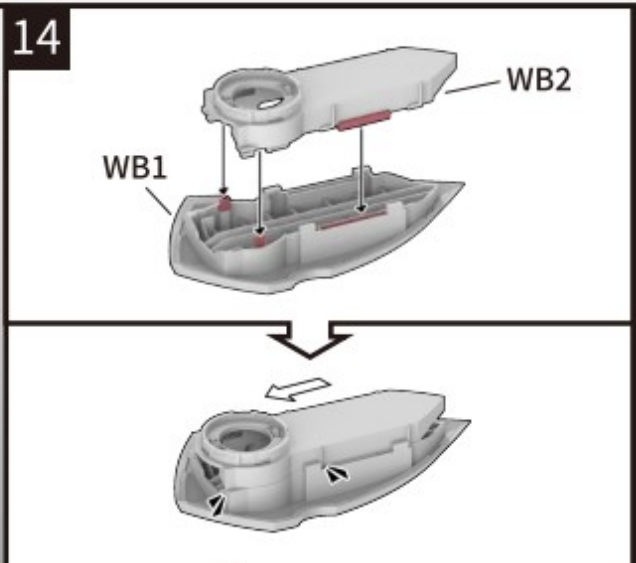
5

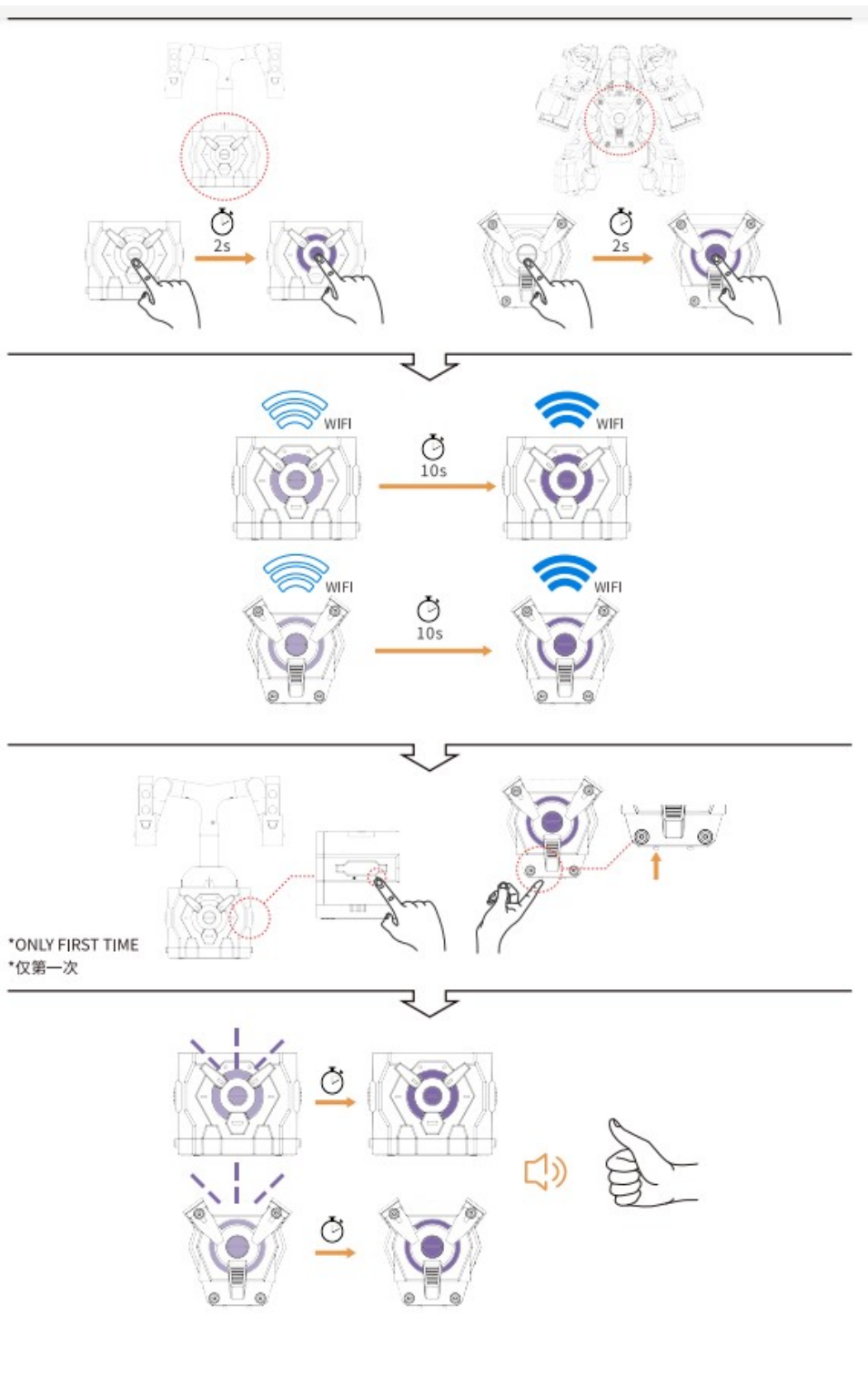


13



6





GJS ROBOT

深圳市工匠社科技有限公司
Shenzhen GJS Technology Co., LTD.

WWW.GJSROBOT.COM